



www.dcnorris.com

DA COOLER

For processes that require large batch cooling in stand-alone vessels, DCN offers an extensive range of static DA Coolers with unique scraped surface agitators. The large surface area to product ratio allows rapid cooling times without damage to particulates or adverse effect on quality or taste. Product is gently transferred to the coolers using our vacuum transfer system and the cooling cycle is closely monitored to eliminate the risk of thermal shock or separation. Once cooled, product can then be pumped into transfer vessels before being taken to the filling line for depositing, avoiding product damage and keeping losses to a minimum. Can be integrated with a range of other equipment including DCN kettles, vacuum trolleys and bratt pans.

Features

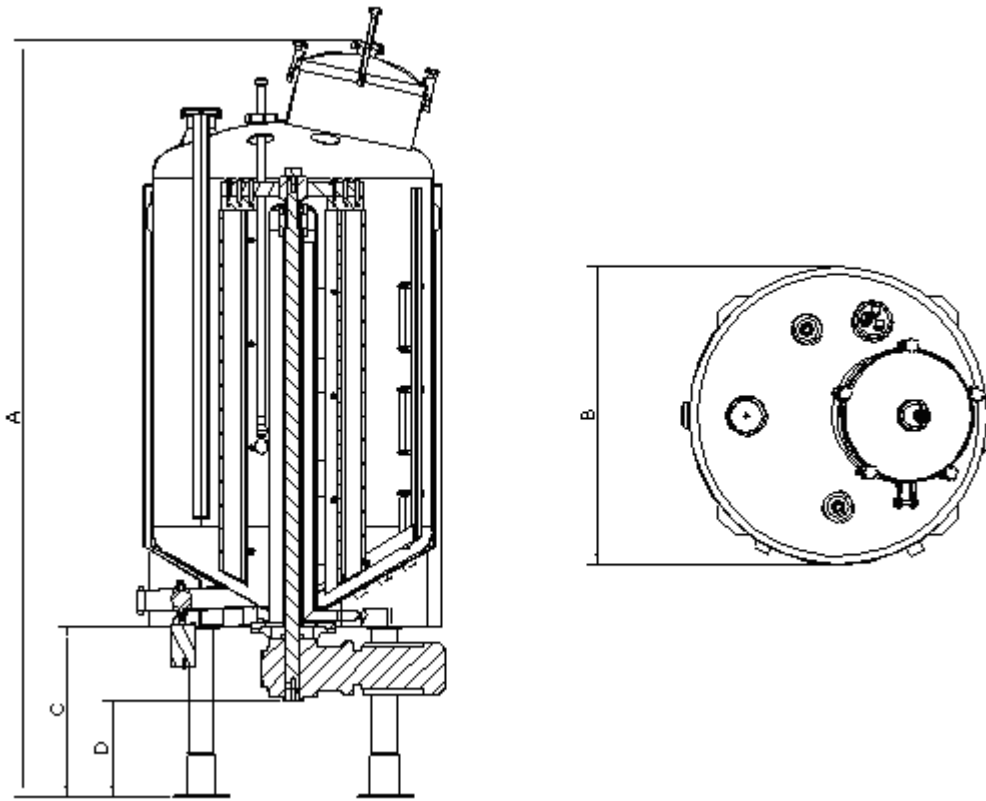
- ⇒ Glycol jacket with 3 bar working pressure and special dimpled pattern to give ultimate cooling performance
- ⇒ Standard batch sizes range from 300 to 750 litres (custom sizes made to order)
- ⇒ Vessel is capable of taking a vacuum to allow filling of product without the need for transfer pumps
- ⇒ Insulated, with a conical bottom and stainless steel cladding
- ⇒ Standard internal sanitary finish. External surfaces have a semi-deluxe buff finish (or to customers specification)
- ⇒ Vertical product zone with scraping surface type, variable speed agitator fitted with replaceable food approved plastic blades
- ⇒ Fixed lid design with manway for incorporating into CIP cleaning systems, or:
 - ⇒ Full diameter, counter balanced, domed top lid for complete access to product zone, available as an option
- ⇒ Designed and tested to PD5500 standards

Options:

- * Vacuum Transfer System
- * Cooler Control System



TECHNICAL DATA



Cooler Size	Overall Height	Diameter	Leg Length	Motor to Floor Clearance
	DIM 'A' (mm)	DIM 'B' (mm)	DIM 'C' (mm)	DIM 'D' (mm)
300	2127	1058	603	341
400	2248	1058	603	341
500	2364	1058	603	341
750	2686	1058	603	341



D C Norris & Company Ltd

Industrial Estate, Sand Road, Great Gransden

Nr Sandy, Bedfordshire, SG19 3AH

United Kingdom

t: +44 (0)1767 677515

f: +4 4(0)1767 677851

e: mail@dcnorris.com

w: www.dcnorris.com



www.dcnorris.com